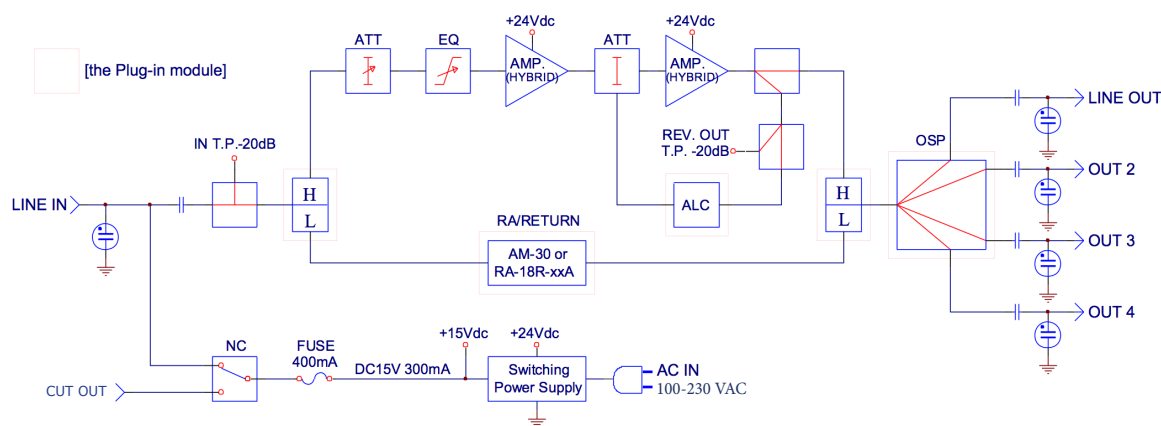


SEAS 4040 for 48 outlets (36/42dB)
Size: (L) 265 x (W) 190 x (H) 110 mm

FEATURES

- Digital and Analogue
- Worldwide Marine use
- Proven and reliable technology
- Simple and easy installation
- No additional accessories in system setup
- Excellent ESD and Surge protection
- Line amplifier for worldwide marine use
- Sturdy die-cast housing conforming to protection class IP54
- Advanced ALC (Automatic Level Control) with LO-HI switch



DESCRIPTION

SEAS 4040 w. 48 outputs (36/42 dB)

PART NO

4040

SEAS 4040_Rev. 1.2.pdf



SEAS 4040

Line amplifier for 48 outlets; 36/44 dB

TECHNICAL SPECIFICATION

Size	(H) 265 x (W) 190 x (D) 110 mm
Housing	Aluminium Die-casting, Finishing: Black painted
Connectors	IN: 5/8"-24 NEF F-Female to 3/8"-32 UNEF F-Female Adaptor OUT: F-Female Connector (4 pcs)
Weight	3.50 Kg

Electrical Specification

RF Amplification		Push-Pull Hybrid Module	
Operation Gain	(w/ RA-30)	100 KHz	16.5 dB min.
		5 MHz	22.0 dB min.
		27 MHz	27.0 dB min.
		47~862 MHz	36.0 dB min. w. 4 outputs
		47~862 MHz	42.0 dB min. w. 1 output
IN-OUT		44.0 dB min.	
Operation Gain		0~ -18.0 dB (adj.)	
Gain Control		0~ -18.0 dB (adj.)	
Slope Control	(w/ MS-86/ 18)	+/-12.0 dB	
Auto Level Control	(w/ ALC-12)	8.0 dB typ. 9.0 dB max.	
Noise Figure		77 NTSC chs. +312 MHz digital*	
Output Level (Reference)		(97 / 102 / 94 dBu V)	
Composite Second Order (CSO)		-60 dBc	
Composite Triple Beat (CTB)		-60 dBc	
Cross Modulation (XMOD)		-60 dBc	
Return Loss		6 dB min.	
(w/ Jumpers)	100~300 KHz	14 dB typ. 12 dB min.	
	300 KHz~27 MHz	12 dB typ. 10 dB min.	
	47~862 MHz		

General Specifications

Input Voltage	100-230 VAC +/-5% / 50/60Hz.
Input & Output Test Ports	-20 +/- 2 dB, F-Female
Input & Output Impedance	75 Ohm
Surge Protection	7000 V for 1.2 x 50 µs
Fuse (For Power Supply)	0.2 A / 250 V (230 Vac)
Power Consumption (Including Powering output to Antenna)	35 W
AC Cord	AC Inlet Module; 1,5m cord w. Schuko
Operating Temperature	-40 to +60°C
Cut out function	Build-in relay activated by single pole switch.

EMC & Safety

EMC	EN55027-2, EN61000-3-2/3-3/4-2-4-6
Safety	EN60945, EN60950, EN60601
Water Ingress Rating	IP54 (NEMA 4)
Dielectric Strength Test**	>2M Ohm, <1m A @2120VDC
Protective Earth Connection***	<0.1 Ohm



- *) For digital channels at 550~862 MHz, carriers are -10 dB lower relative to analog channels.
**) Test by Hi-Pot tester
***) Test by Voltage Meter applied between the protective earth contact of the mains plug and all accessible conductive parts.

All specifications stated are subject to change without notice.